

DOCUMENT NUMBER AND REVISION

DOCUMENT TITLE

SPECIFICATION OF ATI0320 with Glass

ITEM	INFRARED TOUCH SCREEN
MODEL	ATI0320
NEXIO PRODUCT NO.	ATI0320-06HI-AESI-32HX-SS
CUSTOMER PRODUCT NO.	
CUSTOMER	General
DATE	2012. 07. 03

고객사 승인	
검 토	
검 토	
승 인	

넥시오 승인	
작 성	
검 토	
승 인	

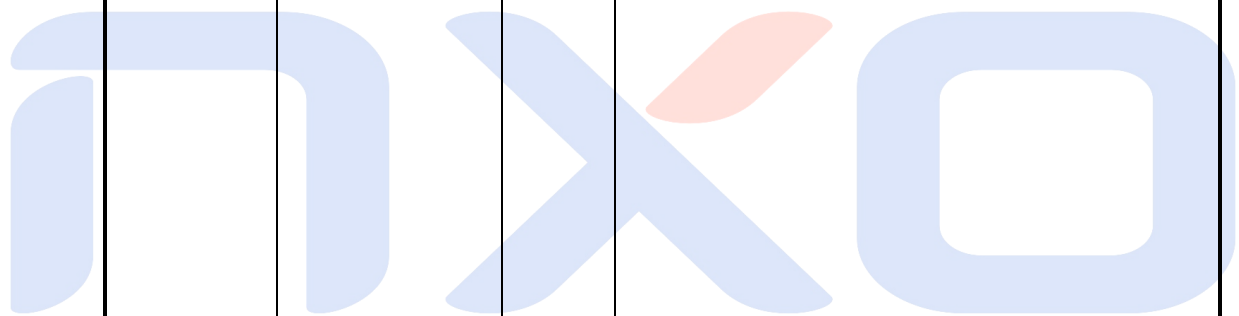
생산공장	정 보	생산공정
본 사 (한국공장)	넥시오 1공장 TEL : 032-556-9543	조 립
	인천광역시 계양구 아나지로437번길 5 (작전동 679-1)	
공장 1 (가공외주)	가온테크 TEL : 032-814-2411	가 공
	인천광역시 남동구 논현동 428-17	

## **CONTENTS**

1. DOCUMENT REVISION HISTORY .....	3P
2. TOUCH SPECIFICATIONS .....	9P
3. MECHANICAL SPECIFICATIONS .....	9P
4. STANDARDS .....	9P
5. OPERATING SYSTEMS .....	10P
6. ELECTRICAL SPECIFICATIONS .....	10P
7. ENVIRONMENT CONDITIONS .....	10P
8. CONTROLLER .....	11P
9. USB INTERFACES .....	11P
10. STRUCTURE & CHARACTERISTICS .....	11P
11. DRAWING SPECIFICATIONS .....	12P

**1. DOCUMENT REVISION HISTORY**

Date	Rev. No	Page	Description
2012.06.19	1.0	-	● Specification of ATI0320 model was issued first.



## 2.

**TOUCH SPECIFICATIONS**

<b>Touch panel size</b>	32 inch
<b>Available touch point</b>	1~6 points without ghost image
<b>Touch Input Method</b>	Pen, Finger, Finger of gloved hand Activation
<b>Touch Activation Force</b>	No minimum touch activation force
<b>Optics Cell Pitch</b>	5.7mm ± 0.2mm
<b>Optics Number</b>	123(H) x 69(V)
<b>Available Object Sizes for Touch</b>	Touch : Ø 10 mm, Drawing : Ø 11 mm
<b>Touch Durability</b>	Unlimited

## 3. MECHANICAL SPECIFICATIONS

<b>Housing</b>	Aluminum, Black
<b>Touch Size (Out line)</b>	742.4 (W) x436.8(D) x11.8(H) (mm, ±0.5mm)
<b>Packing Size</b>	995(W) x 240(V) x615(H) (mm) ( 3 EA in a package)
<b>Useful Screen Area</b>	701.4(H) x 395.8(V) (mm)
<b>Weight (NET / GROSS)</b>	760g (without glass)
<b>Glass</b>	Option(Custom versions available on request)

## 4. STANDARDS

ITEMS	SPECIFICATION
<b>RoHS</b>	Compliant with restriction of hazardous substances directive 2002/95/EC and additional RoHS 2.0 requirements
<b>ESD handling</b>	IEC61000-4-2 - Contact : Level 2 - Air : Level 4
<b>MTBF</b>	Room temperature : 40,000 hours, 40℃ : 35,000 hours
<b>REACH standard</b>	Compliant with the registration, evaluation, authorization and restriction of chemical substances - EC1907/2006
<b>Halogen-Free</b>	International electrotechnical commission (IEC) Definition of Halogen-Free (IEC62321:2008)

## 5. OPERATING SYSTEMS

	Mouse	Digitizer	Gestures	Plug & Play	Optional SW Packages
Win 8	O	O	O	O	O
Win 7 & Embedded	O	O	O	O	O
	※ Notice : have to install with service package1 in Windows 7				
Win XP & Embedded	O	X	O <sup>(1)</sup>	O	O
Mac OSX	X	X	X	X	X
Linux	X	X	X	X <sup>(2)</sup>	X
Android	O	O	O	O	O <sup>(3)</sup>
<b>Functions</b>	<i>Click, Drag, Double-Click</i>	<i>Mouse Functions, Right-Click, Flicks, Panning with Inertia</i>	<i>Mouse &amp; Digitizer Functions, Press &amp; Tap, Rotate, Zoom In/Out</i>		<i>Calibration, Rotation, USB-Downloader, Diagnostics</i>

### \* Operating Systems Not Supported: Windows 2000 and earlier versions

- (1) Gestures can be supported by some program. (MS-Office, Internet-Explorer, etc, ... )  
 (2) Device Driver needed.  
 (3) Calibration and Rotation

## 6. ELECTRICAL SPECIFICATIONS

<b>Operating Voltage</b>	DC 5V +/- 5%
<b>Power Consumption</b>	Max 2.0W(5V, 400 mA)
<b>ESD</b>	Re-operation within 10sec when supplied 4KV Surge in contact, 15KV Surge in air

## 7. ENVIRONMENT CONDITIONS

Item	Operating Temperature		Storage Temperature		Remark
	MIN	MAX	MIN	MAX	
<b>Ambient Temperature</b>	-10°C	+60°C	-40°C 8 hr Still	+85°C 8 hr Still	Dry
<b>Humidity</b>	Operating Humidity : 0% ~ 85%				
	Storage Humidity : 0% ~ 95%				
<b>Vibration PCA must be mounted on a suitable connector</b>	Frequency: 10 ~ 55 Hz Amplitude: 0.75 mm Duration: 20 cycles in each direction.				3 directions
<b>Altitude</b>	3,000m				
<b>Interface</b>	USB1, USB 2.0 Full Speed(12Mbps)				
<b>Detection Method</b>	Infrared rays				

## 8. CONTROLLER : INCLUDED IN TOUCH PANEL

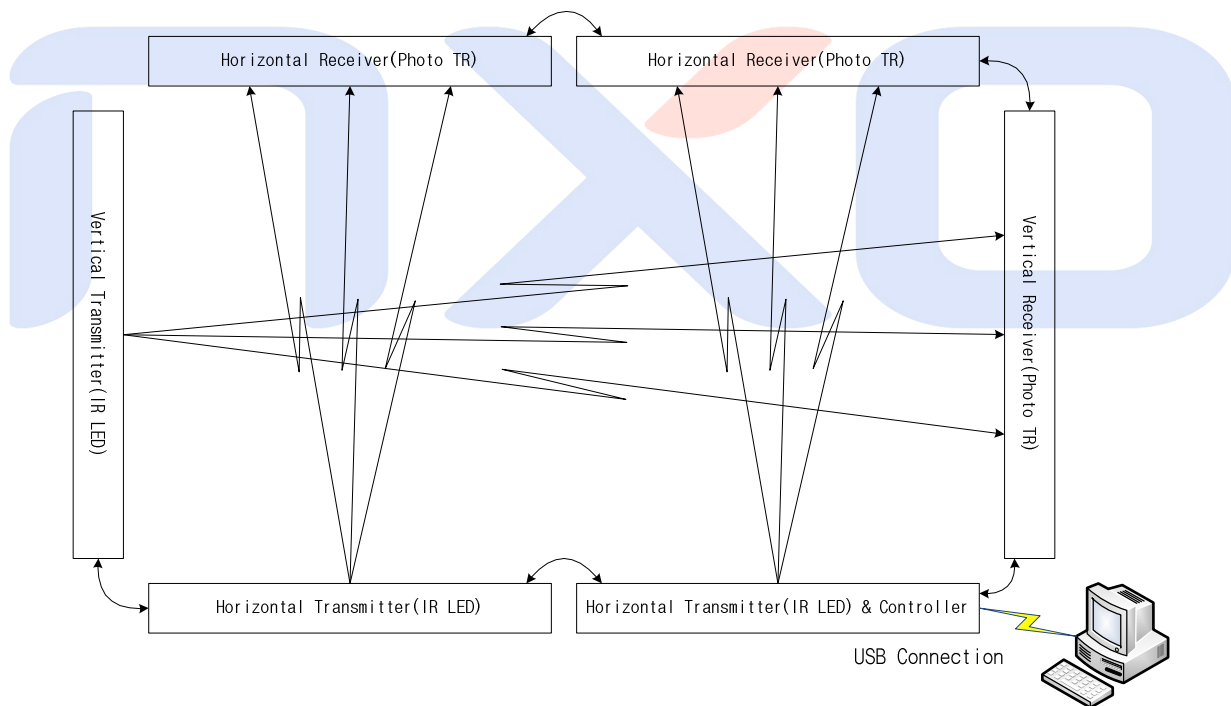
## 9. USB INTERFACES

	Specifications
<b>Power</b>	USB Powered
<b>Protocol</b>	Human Interface Device(HID)
<b>Operation</b>	Plug & Play
<b>VID</b>	0x1870
<b>PID</b>	0x010D
<b>Speed</b>	USB 2.0 Full Speed(12Mbps)
<b>Connector</b>	USB 'A' Type Plug

※Notice : Do not set battery mode or power save mode in computer power option.

## 10. STRUCTURE & CHARACTERISTICS

### (1) Touch System Structure

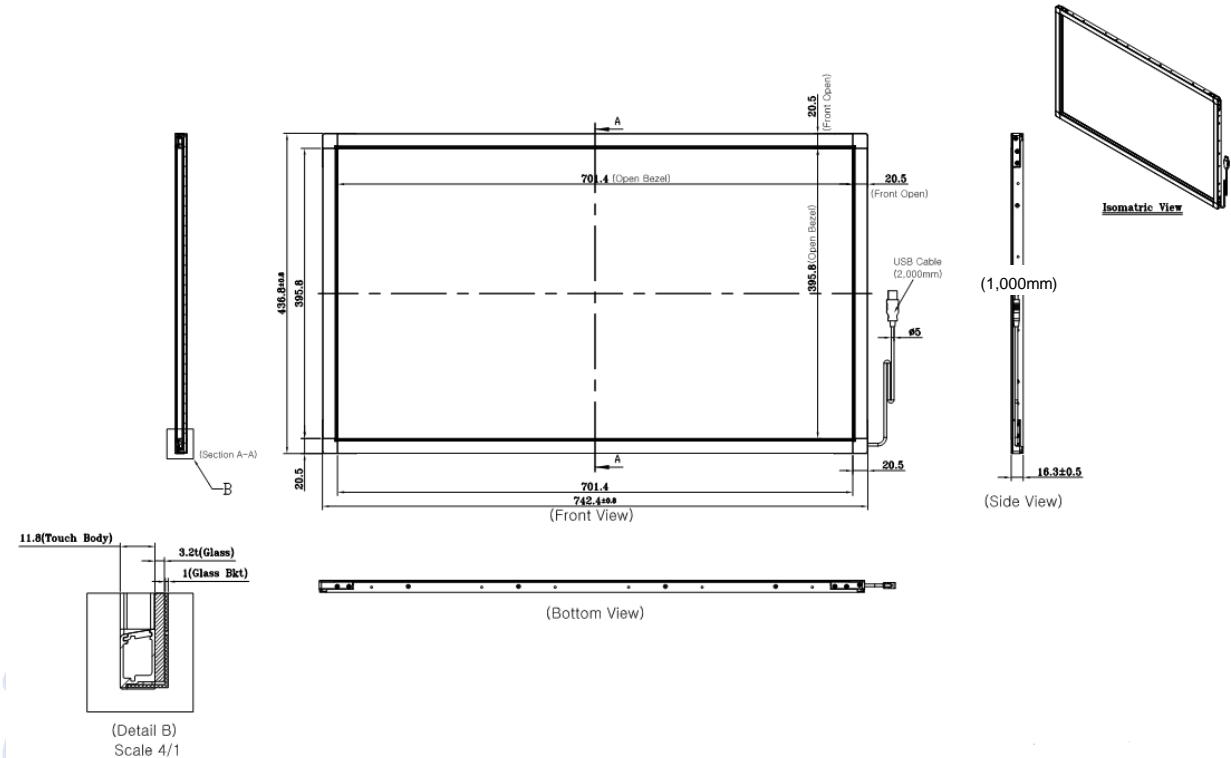


### (2) Characteristics

- Consist of Infrared LED and Photo TR.
- Calculate Multi-point coordinate by multi-scan algorithm.
- Slim Design.
- Operating only USB Power.
- Support HID Multi Touch(Windows7, Windows 8)

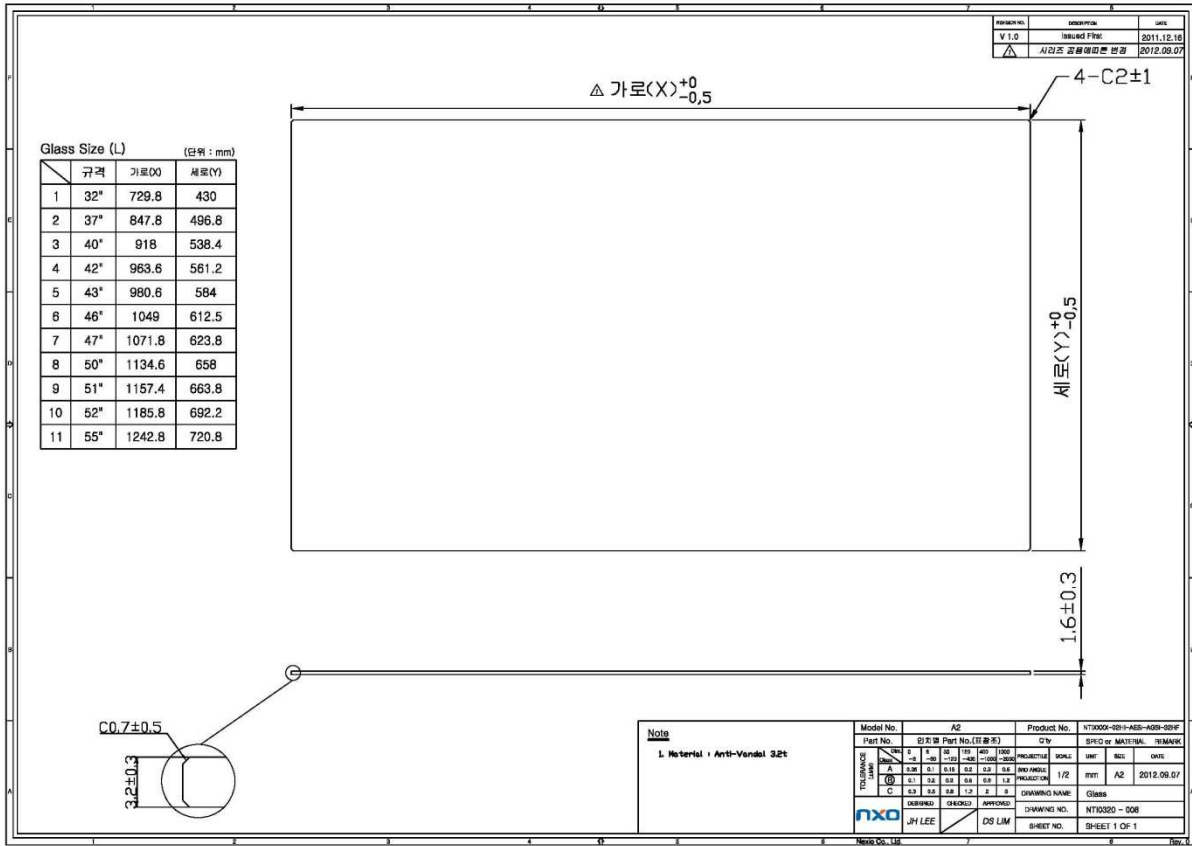
# 11. DRAWING SPECIFICATIONS

## A. Panel layout



※ Specification is subject to change without prior notice

B. Glass size





C. Bracket drawing for glass fixing

