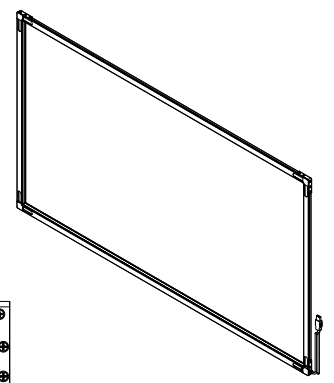
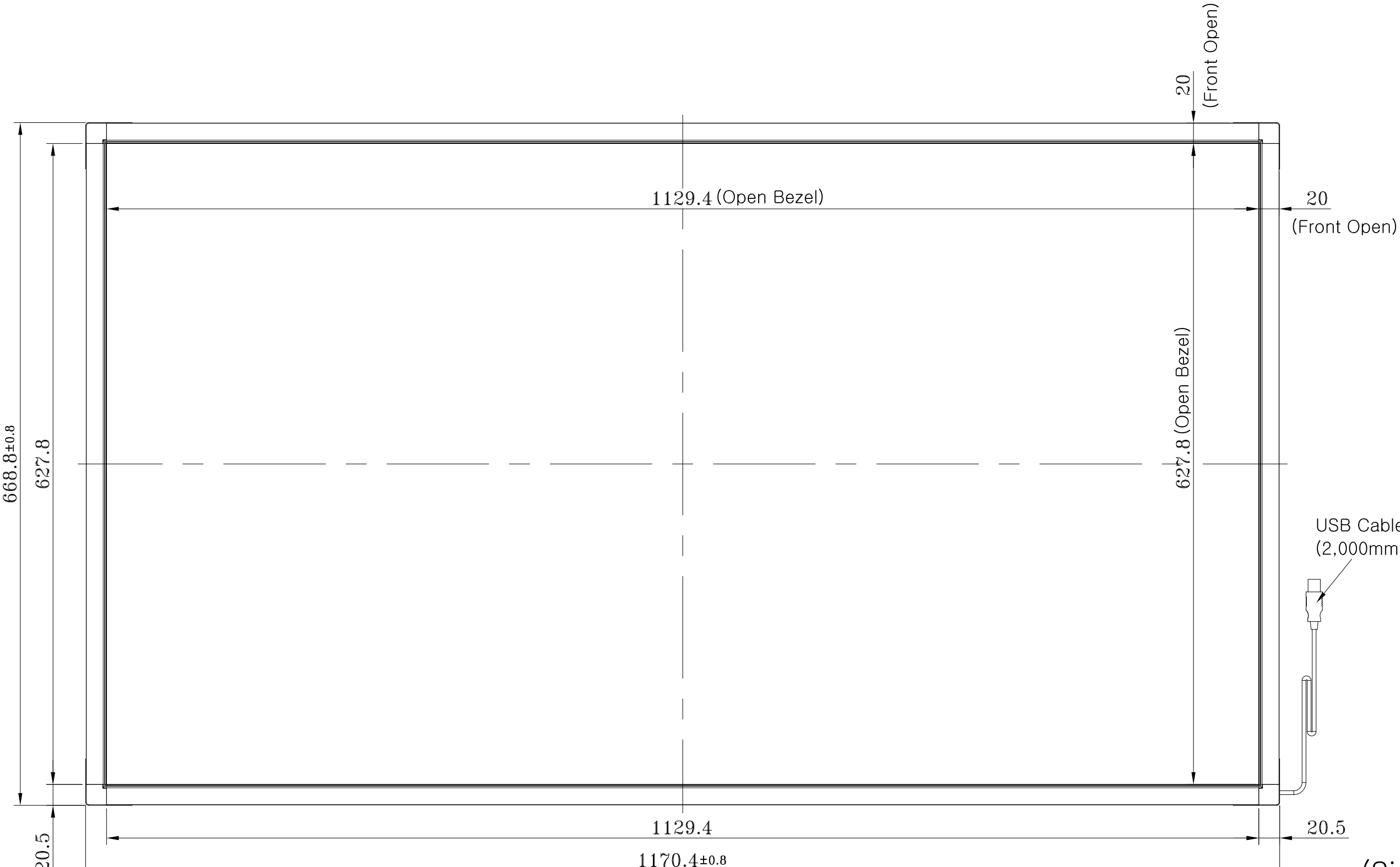


REVISION NO.	DESCRIPTION	DATE
V 1.0	Issued First	2011.10.25



Isometric View

20 (Front Open)

20 (Front Open)

627.8 (Open Bezel)

1129.4 (Open Bezel)

668.8±0.8

627.8

20.5

1129.4

1170.4±0.8

USB Cable (2,000mm)

20.5

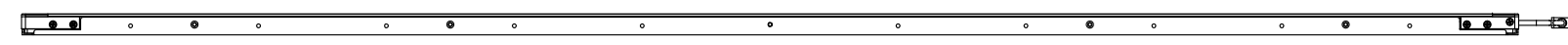
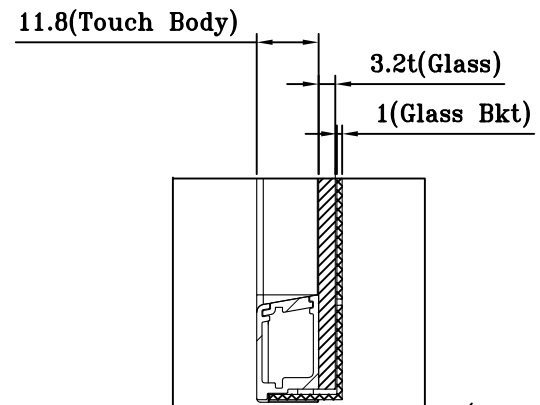
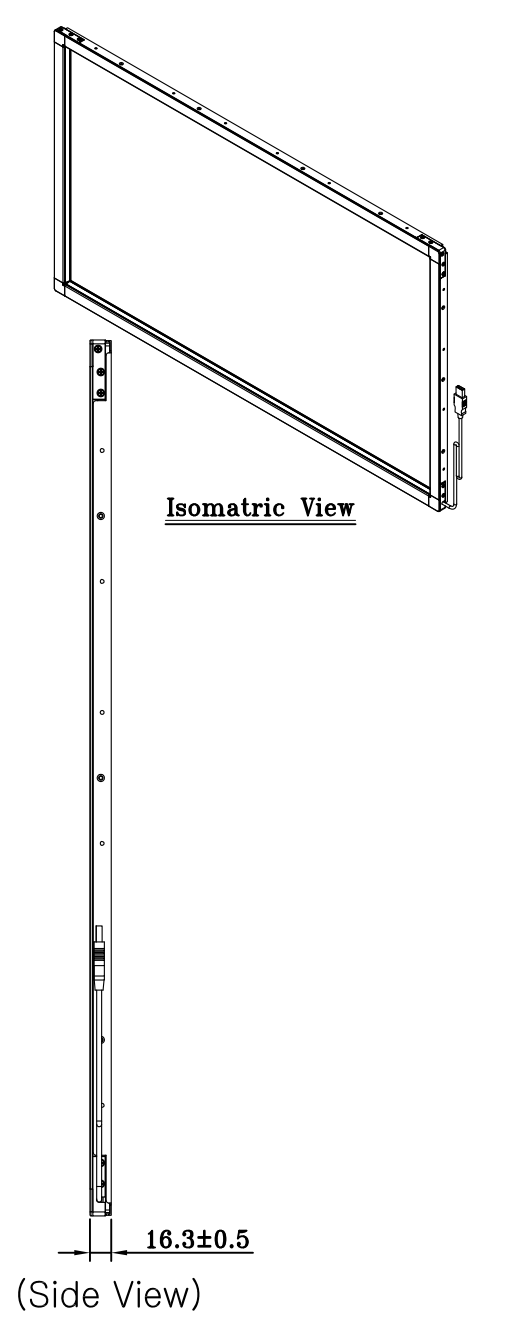
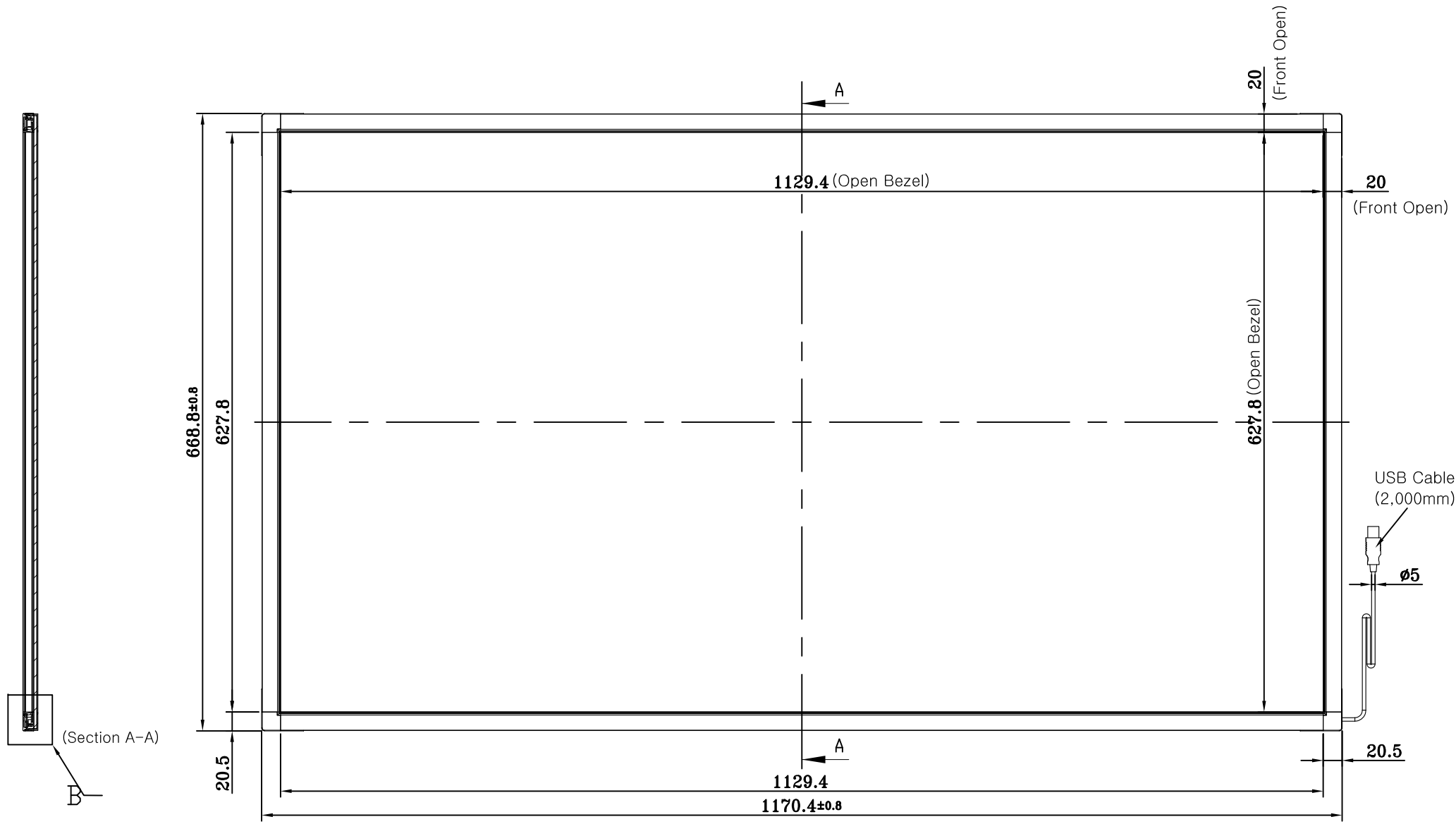
11.8±0.5

(Front View)

(Side View)

Model No.	A2 510						Product No.	NTI-0510-ABBXX-XI-XXXX-H02-GXX									
Part No.	-						Q'ty	1									
TOLERANCE (±MM)	Dim.	0	6	30	120	400	1000	PROJECTILE	SCALE	UNIT	SIZE	DATE					
	Class	-6	-30	-120	-400	-1000	-2000										
	A	0.05	0.1	0.15	0.2	0.3	0.5						3RD ANGLE	1/4	mm	A3	2011.10.25
	PROJECTION	①	0.1	0.2	0.3	0.5	0.8						1.2	PROJECTION			
	C	0.3	0.5	0.8	1.2	2	3	DRAWING NAME		A2 510 SET							
	DESIGNED	CHECKED	APPROVED	DRAWING NO.		A2 - 0510 - 001											
	CM LEE	HJ KIM	DS LIM	SHEET NO.		SHEET 1 OF 1											

REVISION NO.	DESCRIPTION	DATE
V 1.0	Issued First	2011.12.16



(Front View)  
(Bottom View)

Note

Model No.	A2						Product No.	NTI0510-02HI-AGSI-32HF					
Part No.							Q'ty	SPEC or MATERIAL REMARK					
TOLERANCE (±MM)	Dim.	0	6	30	120	400	1000	PROJECTILE	SCALE	UNIT	SIZE	DATE	
	Class	~6	~30	~120	~400	~1000	~2000	3RD ANGLE PROJECTION	1/4	mm	A2	2011.12.16	
	A	0.05	0.1	0.15	0.2	0.3	0.5						
	B	0.1	0.2	0.3	0.5	0.8	1.2						
C	0.3	0.5	0.8	1.2	2	3	DRAWING NAME	NTI 0510 SET					
DESIGNED							CHECKED	APPROVED	DRAWING NO.				NTI 0510 - 001
SC Jang							CM Lee	DS Lim	SHEET NO.				SHEET 1 OF 1