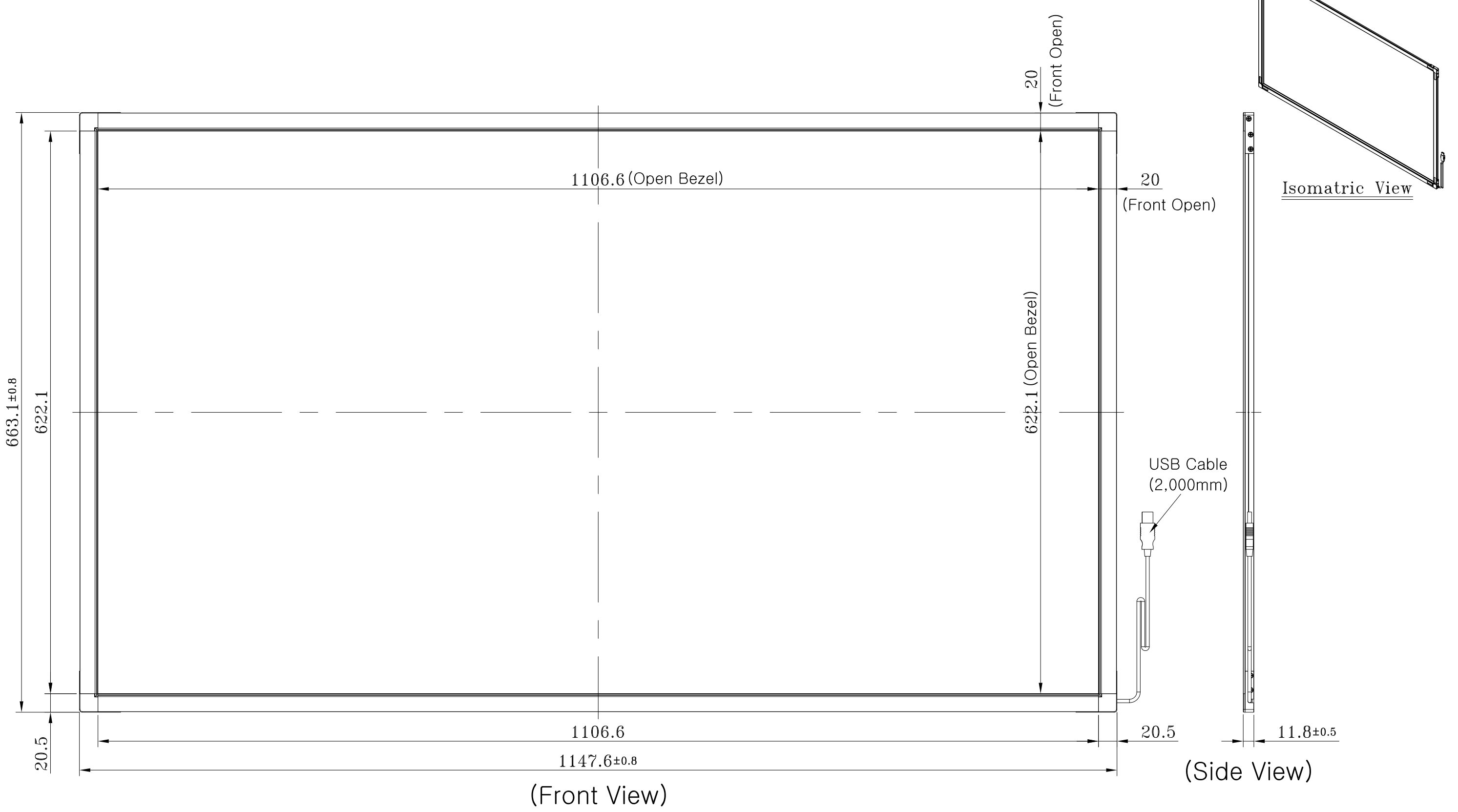


REVISION NO.	DESCRIPTION	DATE
V 1.0	Issued First	2011.10.25



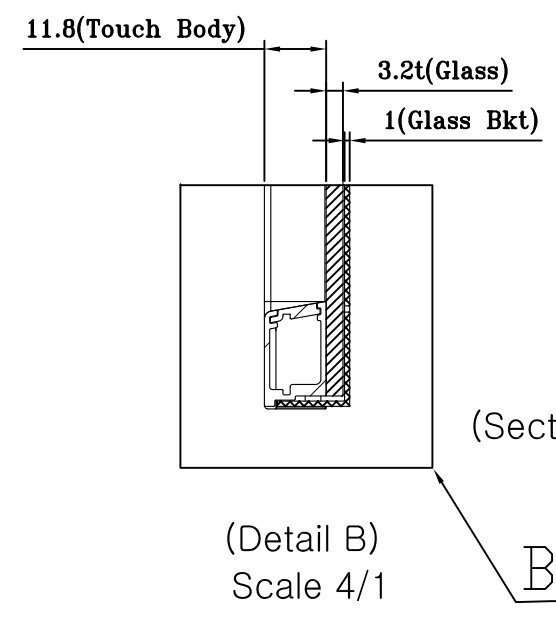
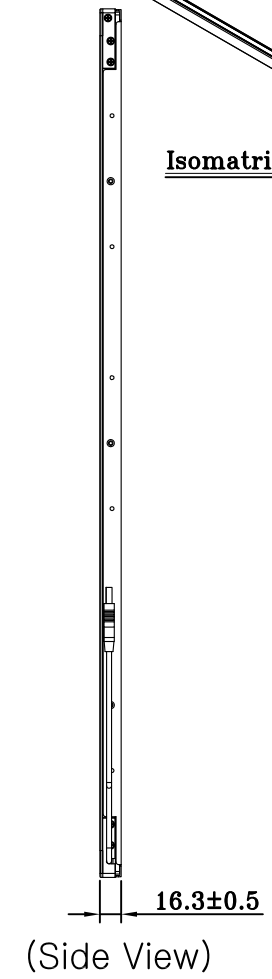
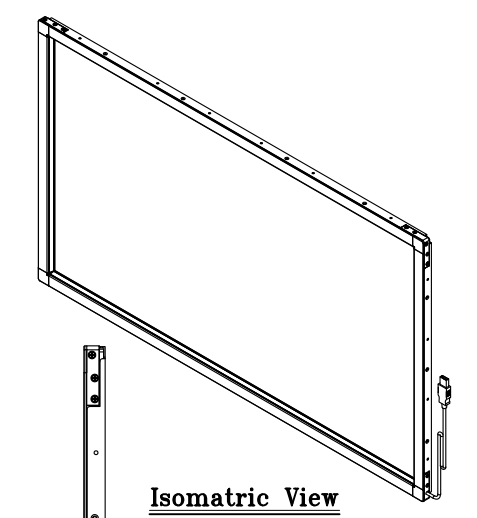
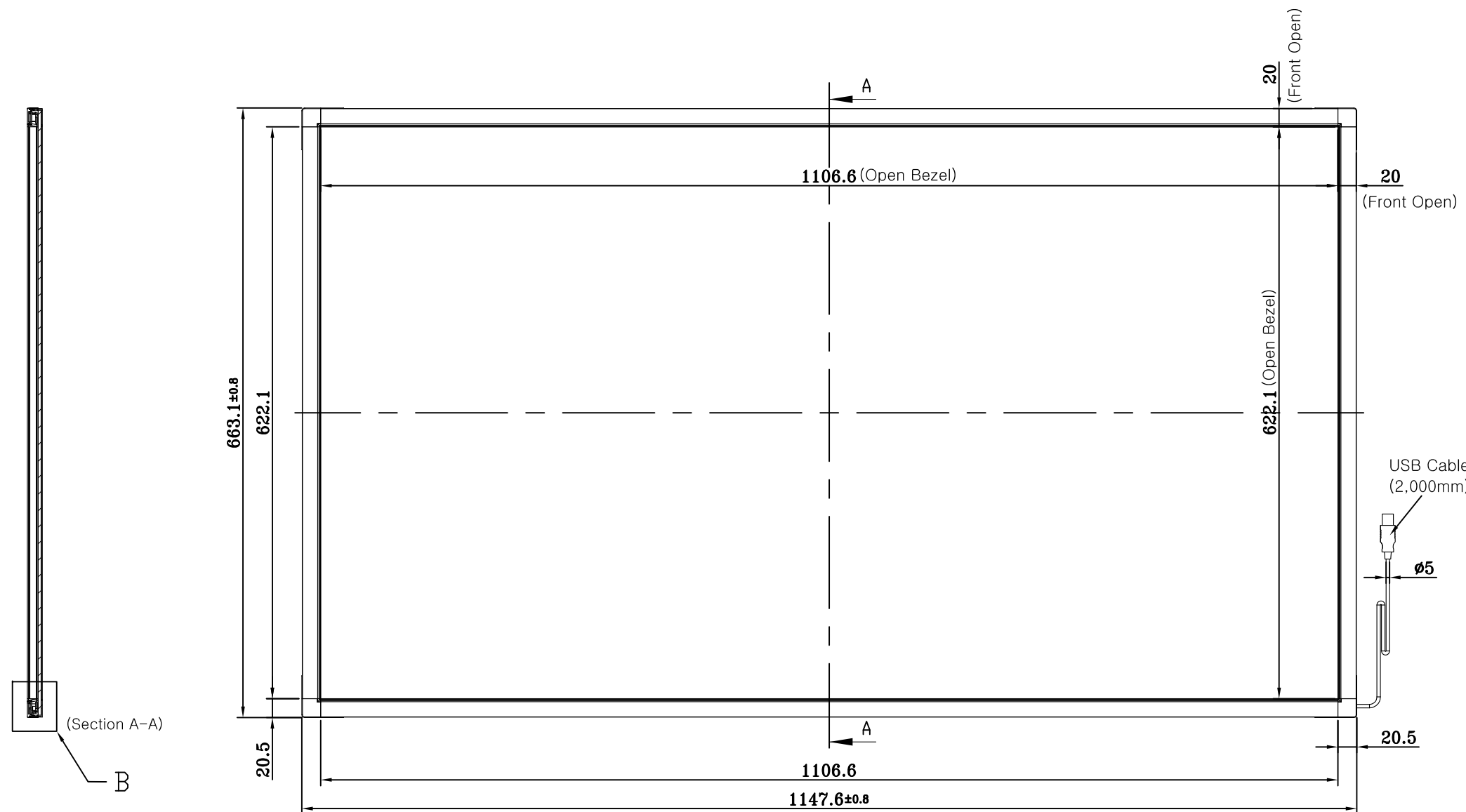
(Front View)

(Side View)

Isometric View

Model No.	A2 500						Product No.	NTI-0500-ABBXX-XI-XXXX-H02-GXX									
Part No.	-						Q'ty	1									
TOLERANCE (±MM)	Dim.	0	6	30	120	400	1000	PROJECTILE	SCALE	UNIT	SIZE	DATE					
	Class	-6	-30	-120	-400	-1000	-2000										
	A	0.05	0.1	0.15	0.2	0.3	0.5						3RD ANGLE PROJECTION	1/4	mm	A3	2011.10.25
	ⓑ	0.1	0.2	0.3	0.5	0.8	1.2										
C	0.3	0.5	0.8	1.2	2	3											
DESIGNED							CHECKED	APPROVED	DRAWING NAME								
CM LEE							HJ KIM	DS LIM	A2 500 SET								
									DRAWING NO.								
									A2 - 0500 - 001								
									SHEET NO.								
									SHEET 1 OF 1								

REVISION NO.	DESCRIPTION	DATE
V 1.0	Issued First	2011.12.16



Note

Model No.	A2						Product No.	NTI0500-02HI-AGSI-32HF									
Part No.							Q'ty	SPEC or MATERIAL REMARK									
TOLERANCE (±MM)	Dim.	0	6	30	120	400	1000	PROJECTILE	SCALE	UNIT	SIZE	DATE					
	Class	~6	~30	~120	~400	~1000	~2000										
	A	0.05	0.1	0.15	0.2	0.3	0.5						3RD ANGLE PROJECTION	1/4	mm	A2	2011.12.16
	B	0.1	0.2	0.3	0.5	0.8	1.2										
C	0.3	0.5	0.8	1.2	2	3	DRAWING NAME		NTI 0500 SET								
							DESIGNED	CHECKED	APPROVED	DRAWING NO.			NTI 0500 - 001				
							SC Jang	CM Lee	DS Lim	SHEET NO.			SHEET 1 OF 1				