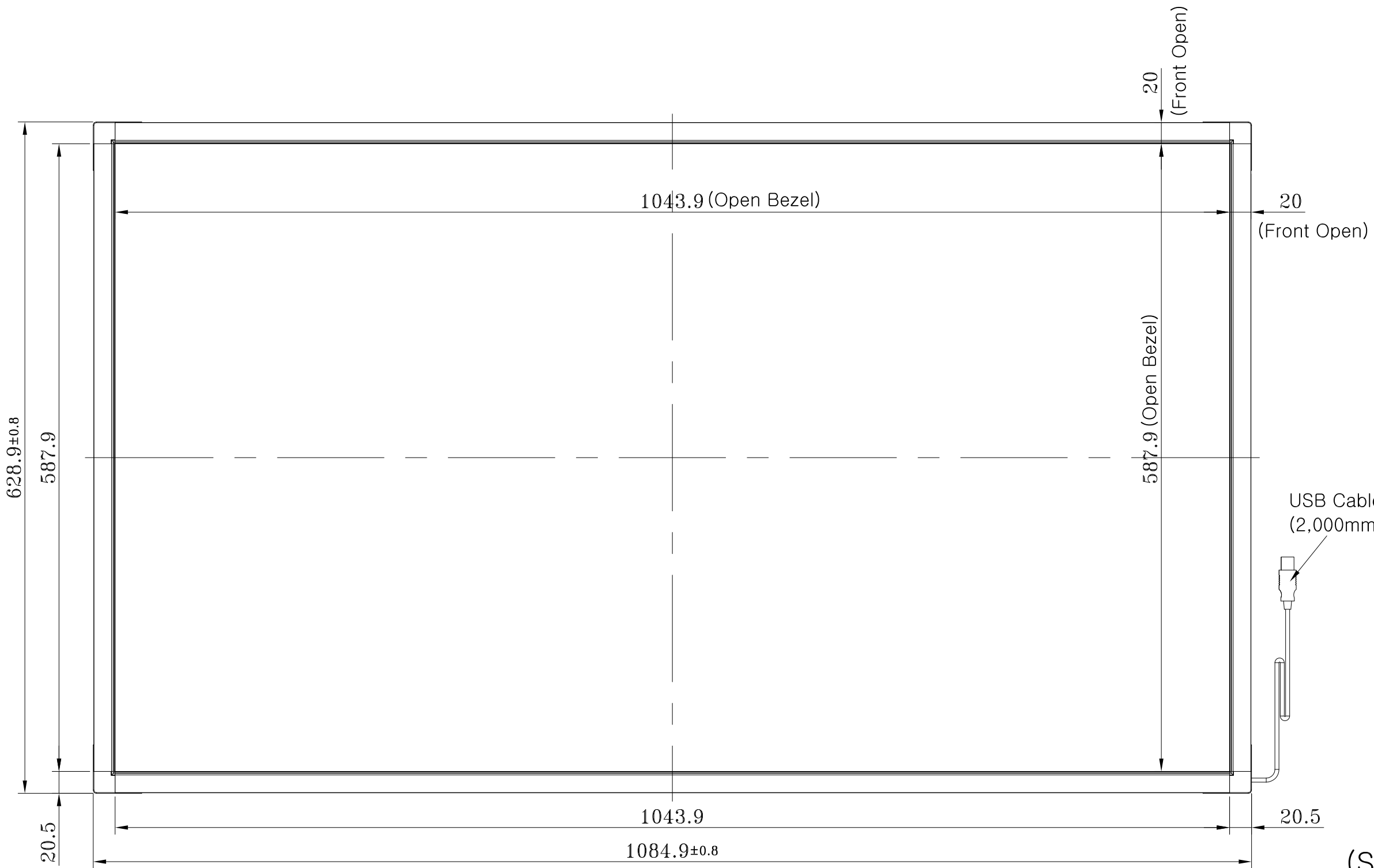
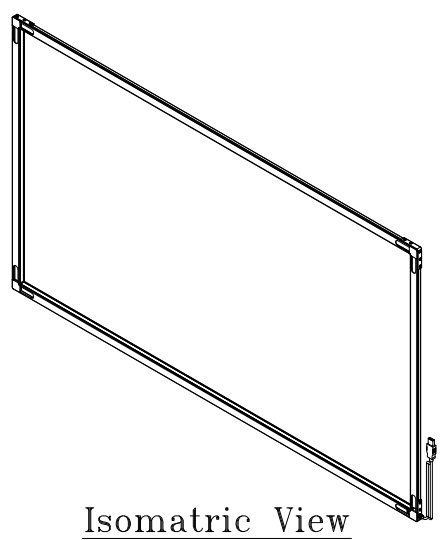


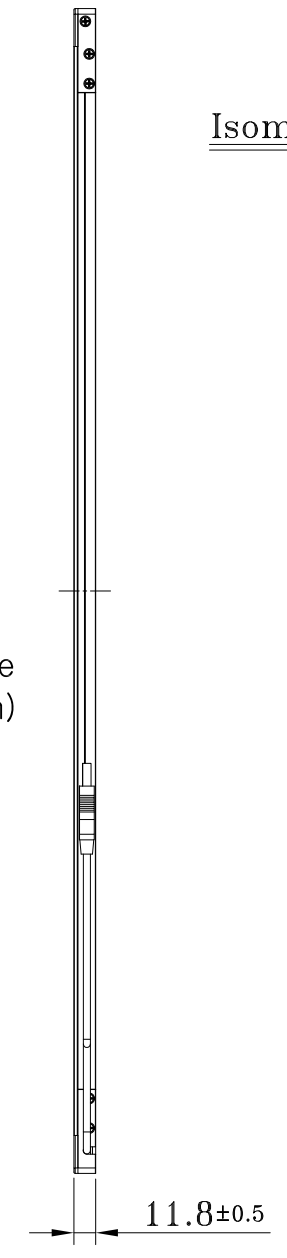
REVISION NO.	DESCRIPTION	DATE
V 1.0	Issued First	2011.10.25



(Front View)



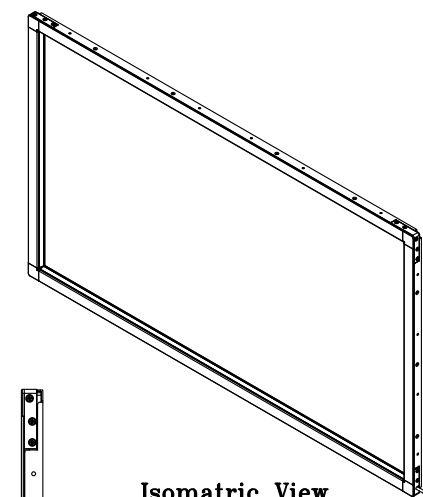
Isometric View



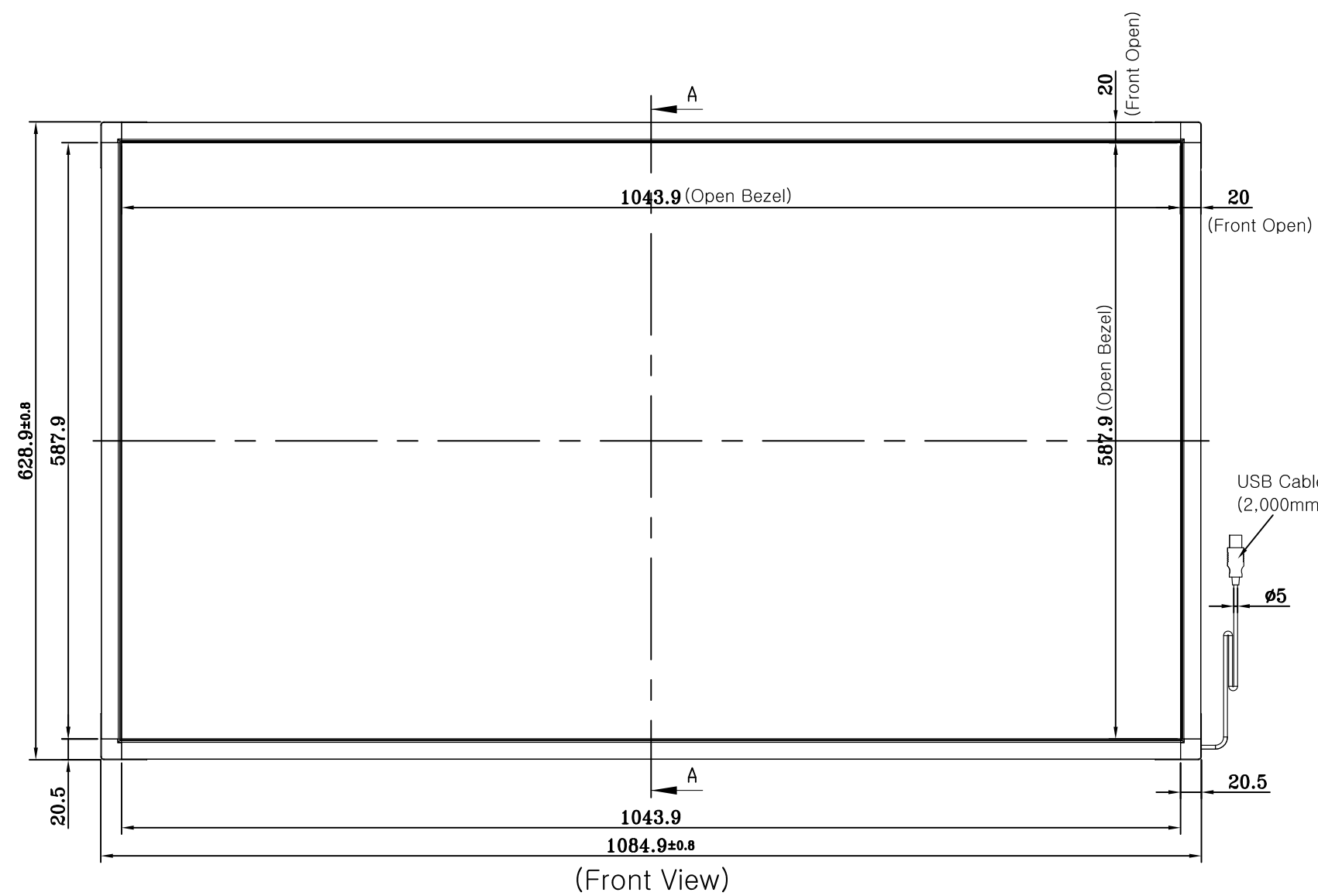
(Side View)

Model No.	A2 470						Product No.	NTI-0470-ABBXX-XI-XXXX-H02-GXX				
Part No.	-						Q'ty	1				
TOLERANCE (±MM)	Dim. Class	0 -6	6 -30	30 -120	120 -400	400 -1000	1000 -2000	PROJECTILE	SCALE	UNIT	SIZE	DATE
	A	0.05	0.1	0.15	0.2	0.3	0.5	3RD ANGLE PROJECTION	1/4	mm	A3	2011.10.25
	Ⓑ	0.1	0.2	0.3	0.5	0.8	1.2					
	C	0.3	0.5	0.8	1.2	2	3					
DESIGNED							CHECKED	APPROVED	DRAWING NAME			
CM LEE							HJ KIM	DS LIM	DRAWING NO.			
									SHEET NO.			

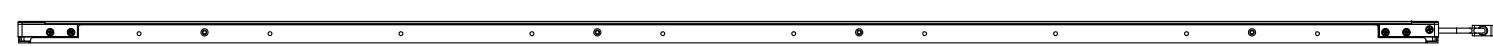
REVISION NO.	DESCRIPTION	DATE
V 1.0	Issued First	2011.12.16



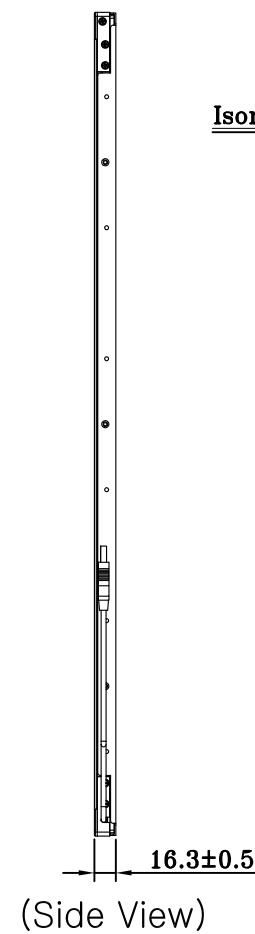
Isometric View



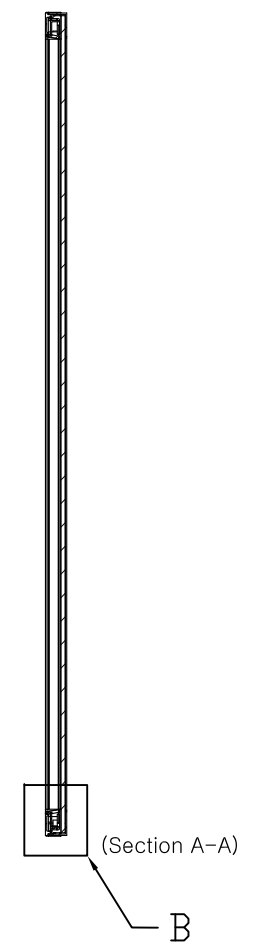
(Front View)



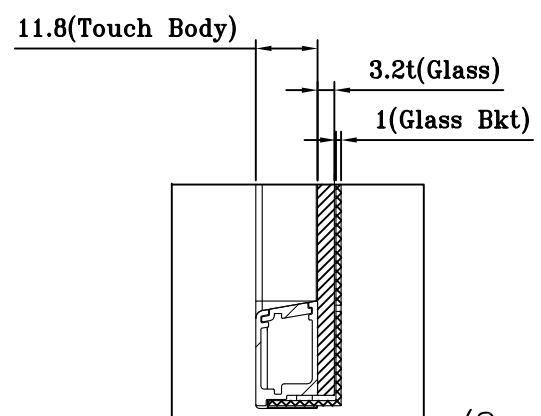
(Bottom View)



(Side View)



(Section A-A)



(Detail B)
Scale 4/1

(Section A-A)

Note

Model No.	A2					Product No.	NTI0470-02HI-AGSI-32HF										
Part No.						Q'ty	SPEC or MATERIAL REMARK										
TOLERANCE (±MM)	Dim.	0	6	30	120	400	1000	PROJECTILE	SCALE	UNIT	SIZE	DATE					
	Class	~6	~30	~120	~400	~1000	~2000										
	A	0.05	0.1	0.15	0.2	0.3	0.5						3RD ANGLE PROJECTION	1/4	mm	A2	2011.12.16
	B	0.1	0.2	0.3	0.5	0.8	1.2										
C	0.3	0.5	0.8	1.2	2	3											
DESIGNED						CHECKED	APPROVED	DRAWING NAME									
SC Jang						CM Lee	DS Lim	DRAWING NO.									
								SHEET NO.									