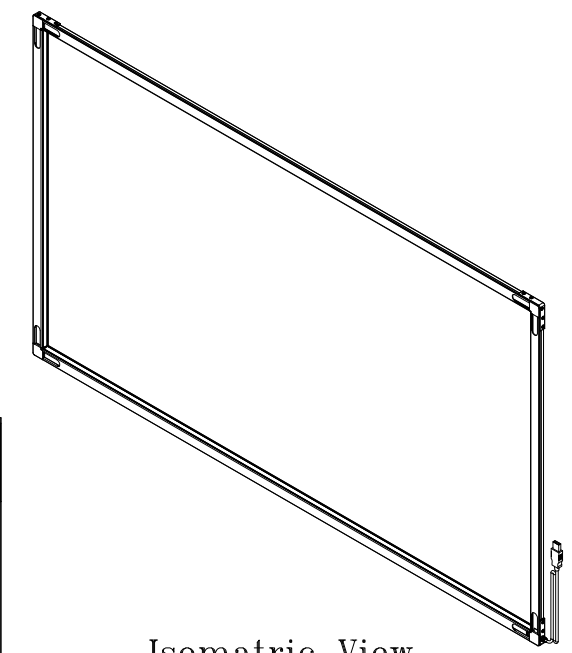
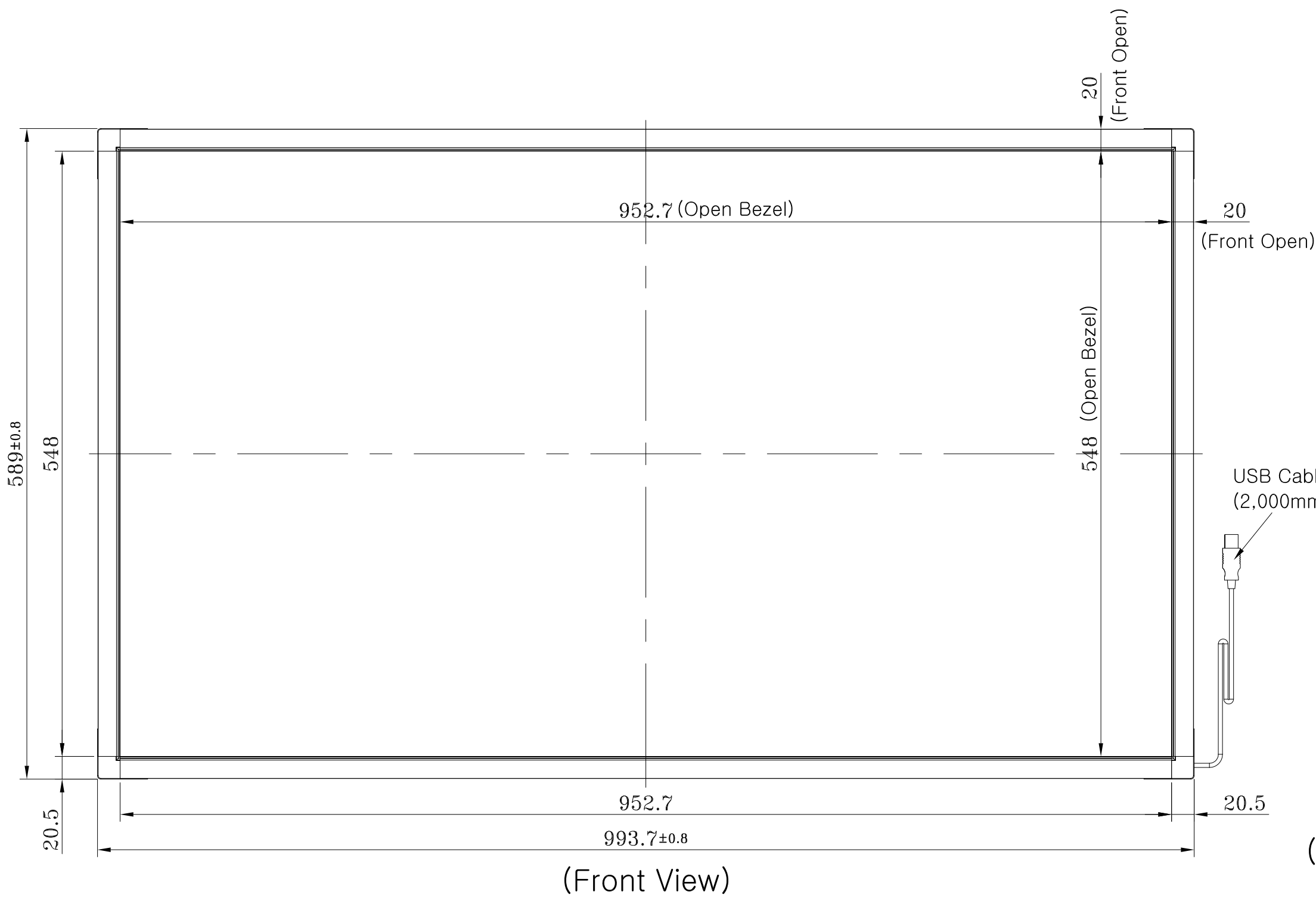
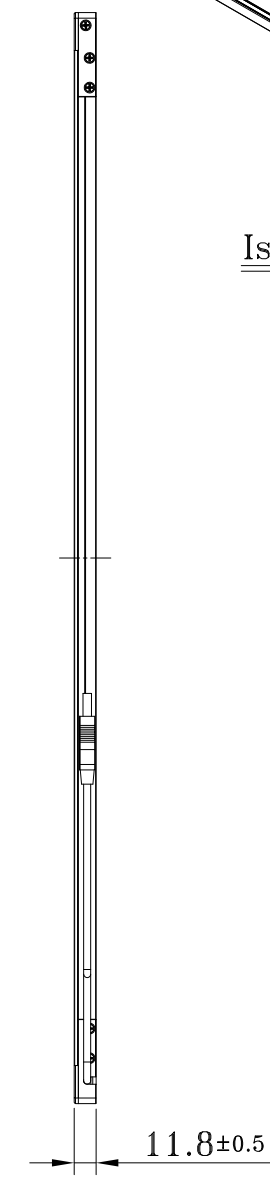
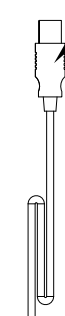


REVISION NO.	DESCRIPTION	DATE
V 1.0	Issued First	2011.10.25



USB Cable  
(2,000mm)

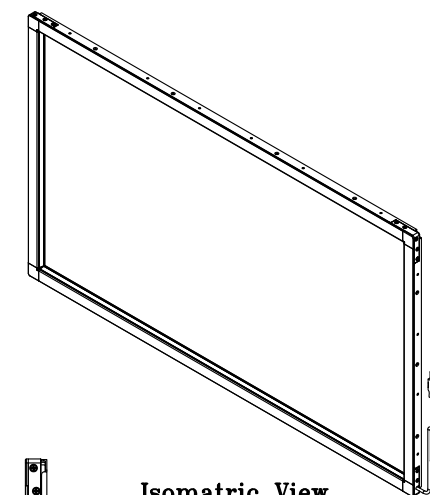


(Side View)

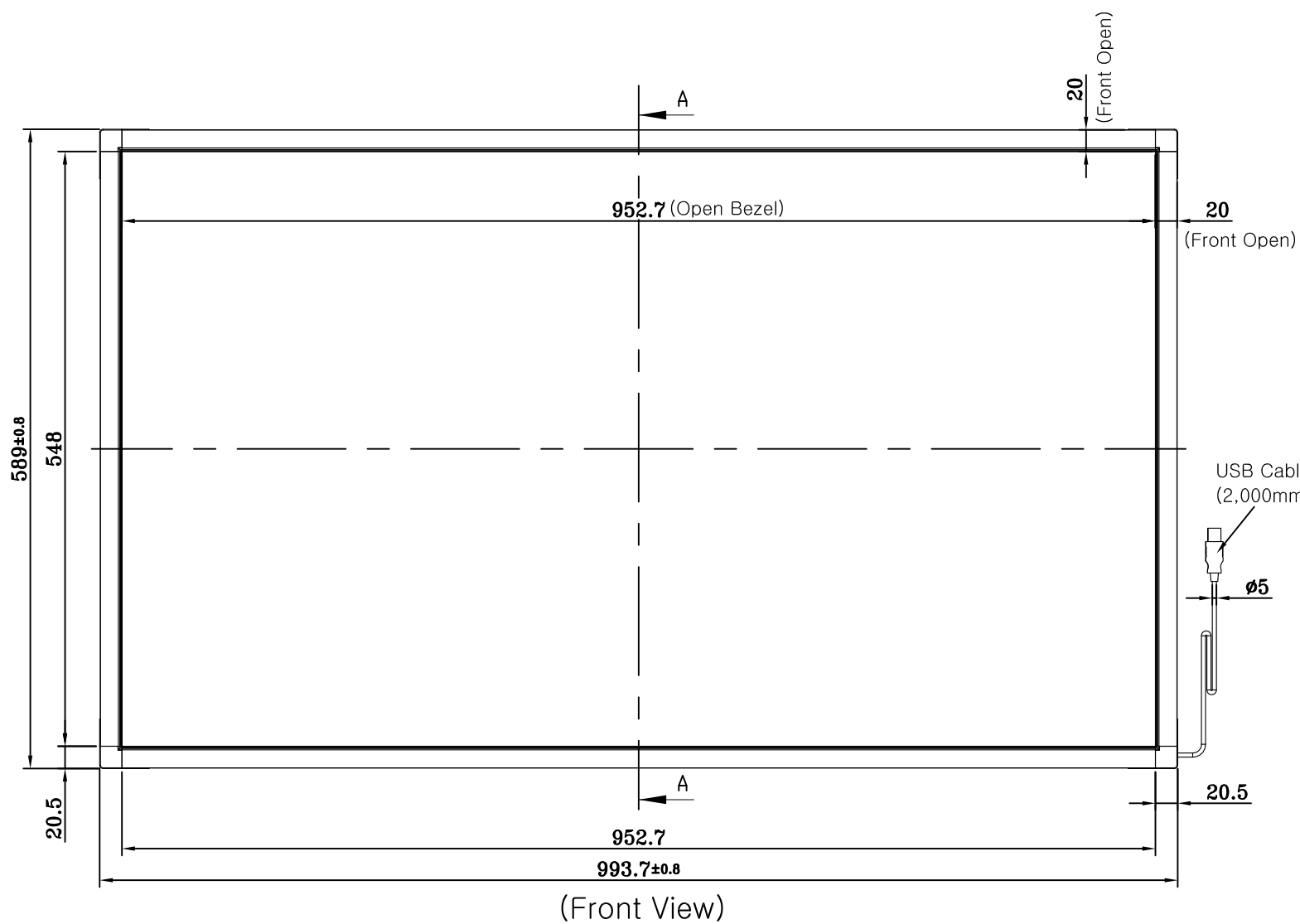
(Front View)

Model No.	A2 430						Product No.	NTI-0430-ABBXX-XI-XXXX-H02-GXX					
Part No.	-						Q'ty	1					
TOLERANCE (±MM)	Dim.	0	6	30	120	400	1000	PROJECTILE	SCALE	UNIT	SIZE	DATE	
	Class	-6	-30	-120	-400	-1000	-2000						
	A	0.05	0.1	0.15	0.2	0.3	0.5						
	ⓑ	0.1	0.2	0.3	0.5	0.8	1.2						
C	0.3	0.5	0.8	1.2	2	3	3RD ANGLE PROJECTION	1/4	mm	A3	2011.10.25		
DESIGNED							CHECKED	APPROVED	DRAWING NAME				A2 430 SET
CM LEE							HJ KIM	DS LIM	DRAWING NO.				A2 - 0430 - 001
									SHEET NO.				SHEET 1 OF 1

REVISION NO.	DESCRIPTION	DATE
V 1.0	Issued First	2011.12.16



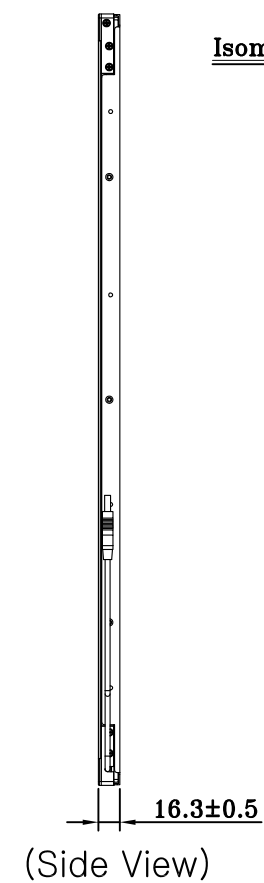
Isometric View



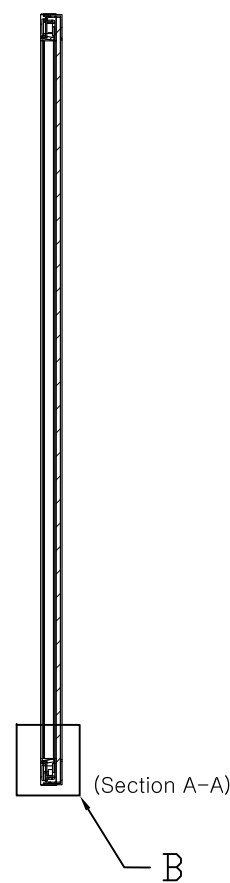
(Front View)



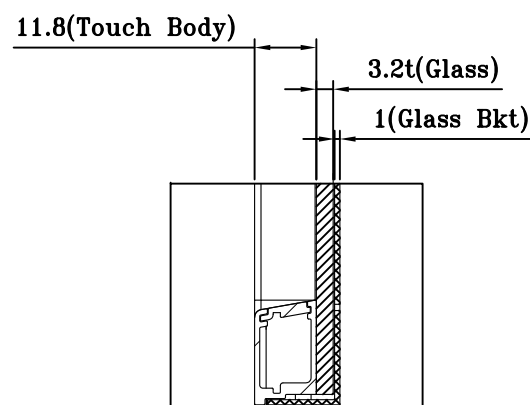
(Bottom View)



(Side View)



(Section A-A)  
B



(Section A-A)  
(Detail B)  
Scale 4/1  
B

Note

Model No.	A2					Product No.	NTI0430-02HI-AGSI-32HF										
Part No.						Q'ty	SPEC or MATERIAL REMARK										
TOLERANCE (±MM)	Dim.	0	6	30	120	400	1000	PROJECTILE	SCALE	UNIT	SIZE	DATE					
	Class	~6	~30	~120	~400	~1000	~2000										
	A	0.05	0.1	0.15	0.2	0.3	0.5						3RD ANGLE PROJECTION	1/4	mm	A2	2011.12.16
	B	0.1	0.2	0.3	0.5	0.8	1.2										
C	0.3	0.5	0.8	1.2	2	3	DRAWING NAME		NTI0 430 SET								
		DESIGNED	CHECKED	APPROVED			DRAWING NO.		NTI 0430 - 001								
		SC Jang	CM Lee	DS Lim			SHEET NO.		SHEET 1 OF 1								