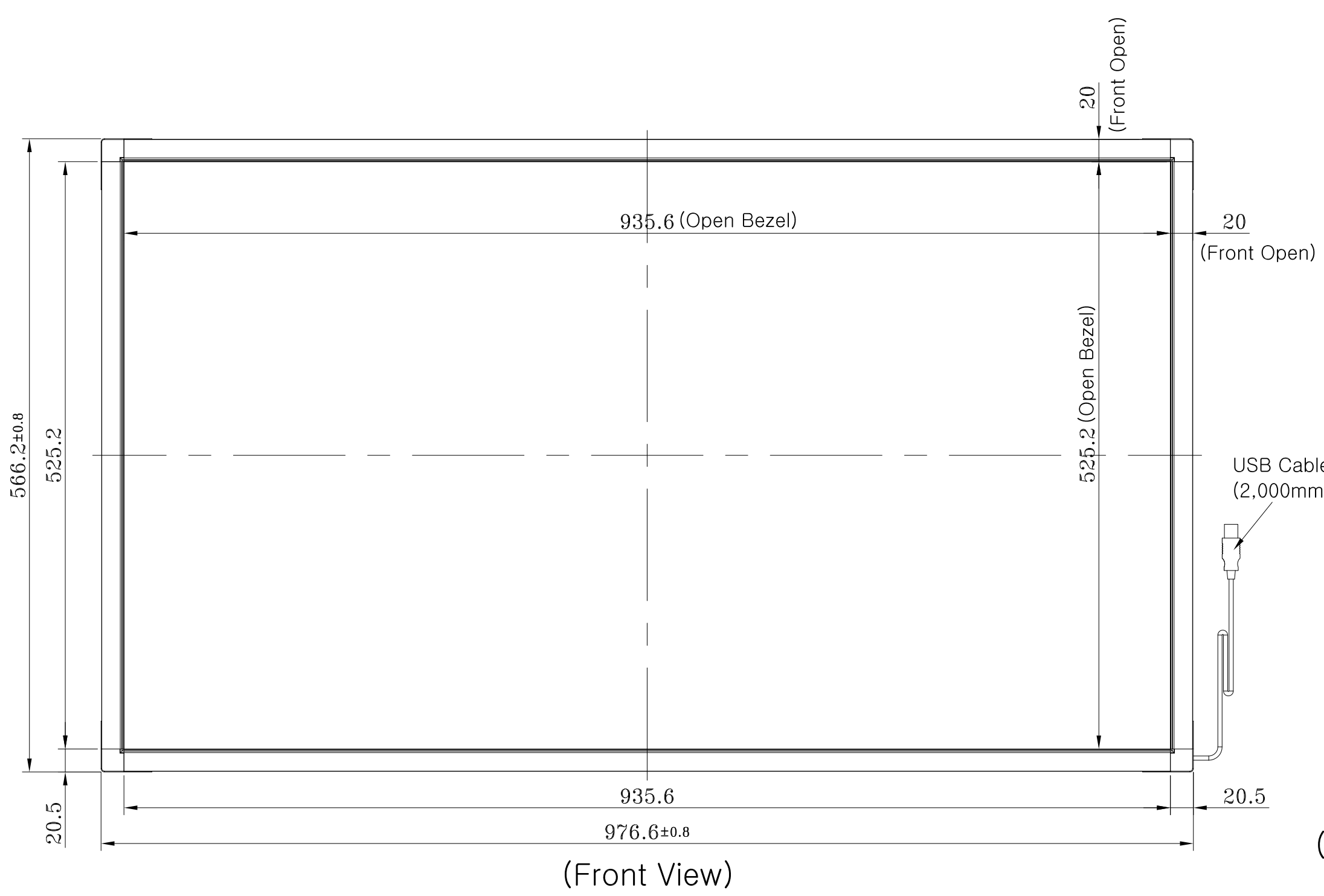
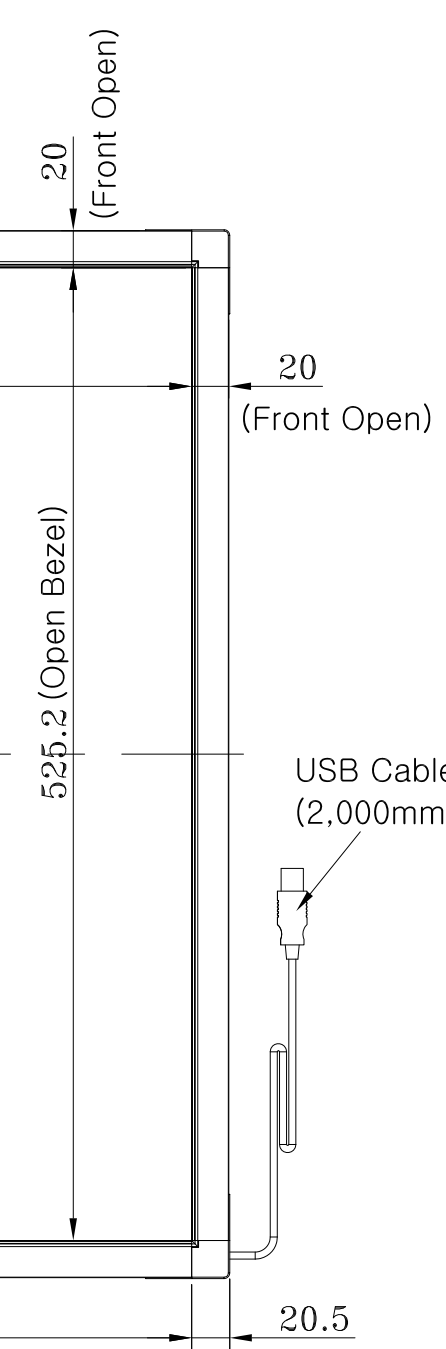


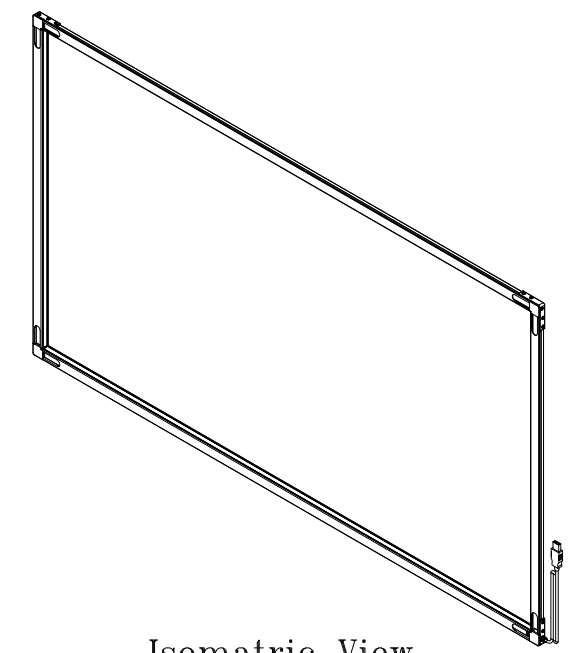
REVISION NO.	DESCRIPTION	DATE
V 1.0	Issued First	2011.10.25



(Front View)

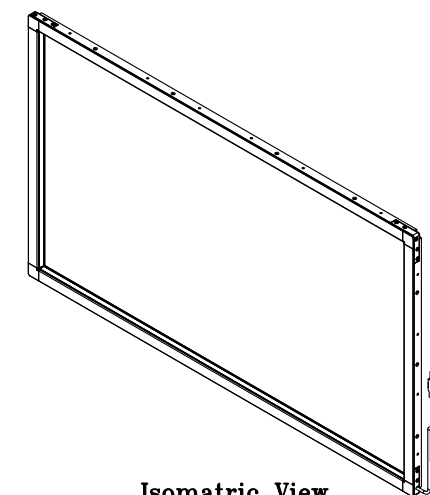


(Side View)

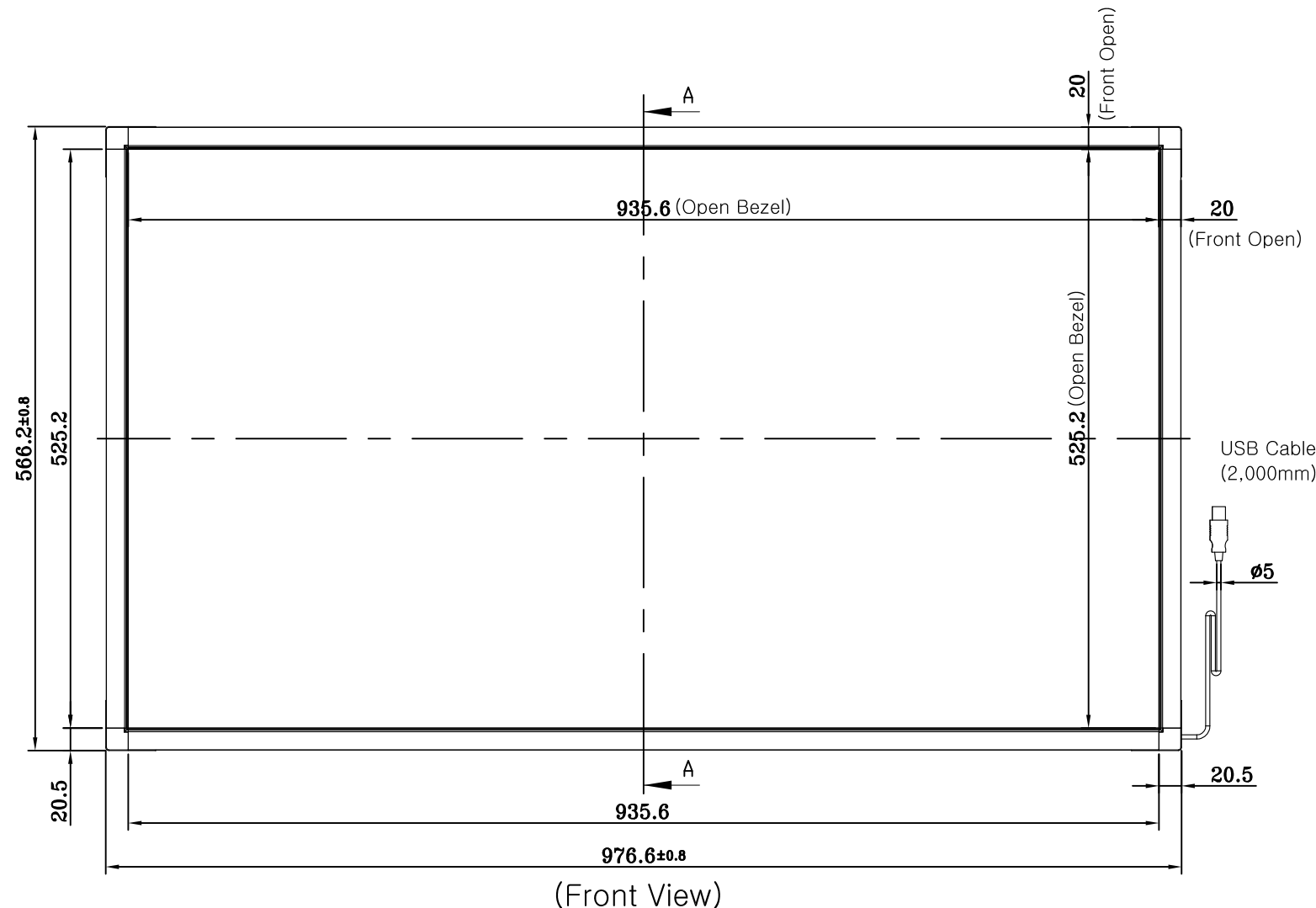


Model No.	A2 420						Product No.	NTI-0420-ABBXX-XI-XXXX-H02-GXX									
Part No.	-						Q'ty	1									
TOLERANCE (±MM)	Dim.	0	6	30	120	400	1000	PROJECTILE	SCALE	UNIT	SIZE	DATE					
	Class	~6	~30	~120	~400	~1000	~2000										
	A	0.05	0.1	0.15	0.2	0.3	0.5						3RD ANGLE PROJECTION	1/4	mm	A3	2011.10.25
	ⓑ	0.1	0.2	0.3	0.5	0.8	1.2										
C	0.3	0.5	0.8	1.2	2	3	DRAWING NAME		A2 420 SET								
INEXIO	DESIGNED	CHECKED		APPROVED		DRAWING NO.		A2 - 0420 - 001									
	CM LEE	HJ KIM		DS LIM		SHEET NO.		SHEET 1 OF 1									

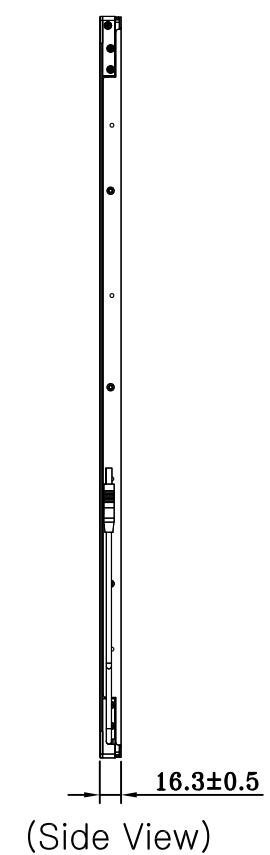
REVISION NO.	DESCRIPTION	DATE
V 1.0	Issued First	2011.12.16



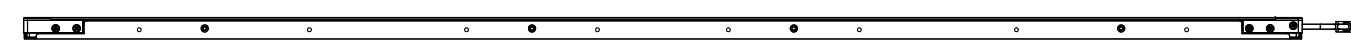
Isometric View



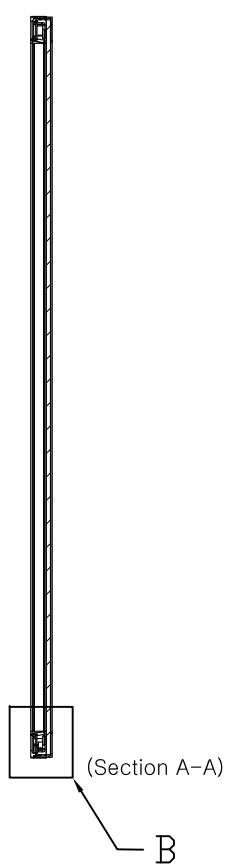
(Front View)



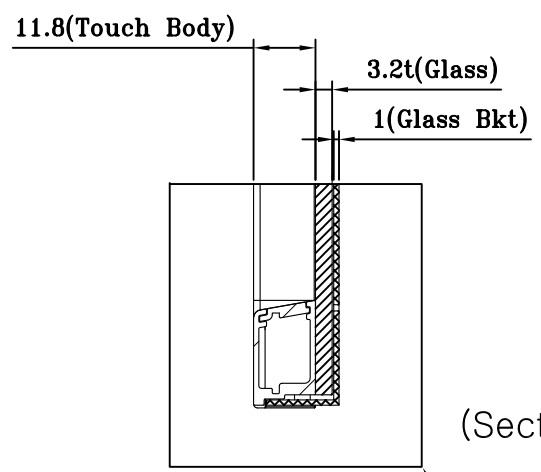
(Side View)



(Bottom View)



(Section A-A)  
B



(Detail B)  
Scale 4/1

(Section A-A)  
B

Note

Model No.	A2						Product No.	NTI0420-02HI-AGSI-32HF					
Part No.							Q'ty	SPEC or MATERIAL REMARK					
TOLERANCE (±MM)	Dim. Class	0 ~6	6 ~30	30 ~120	120 ~400	400 ~1000	1000 ~2000	PROJECTILE	SCALE	UNIT	SIZE	DATE	
	A	0.05	0.1	0.15	0.2	0.3	0.5	3RD ANGLE PROJECTION	1/4	mm	A2	2011.12.16	
	B	0.1	0.2	0.3	0.5	0.8	1.2						
	C	0.3	0.5	0.8	1.2	2	3						
DESIGNED							CHECKED	APPROVED	DRAWING NAME				
SC Jang							CM Lee	DS Lim	DRAWING NO.				
										SHEET NO.			