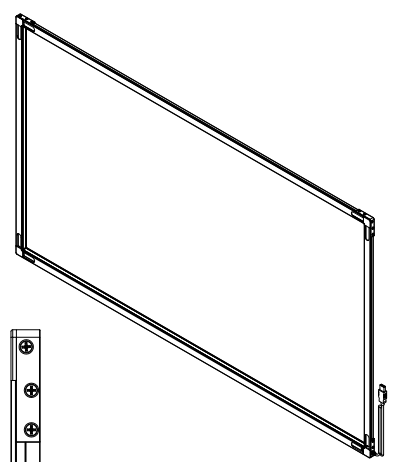
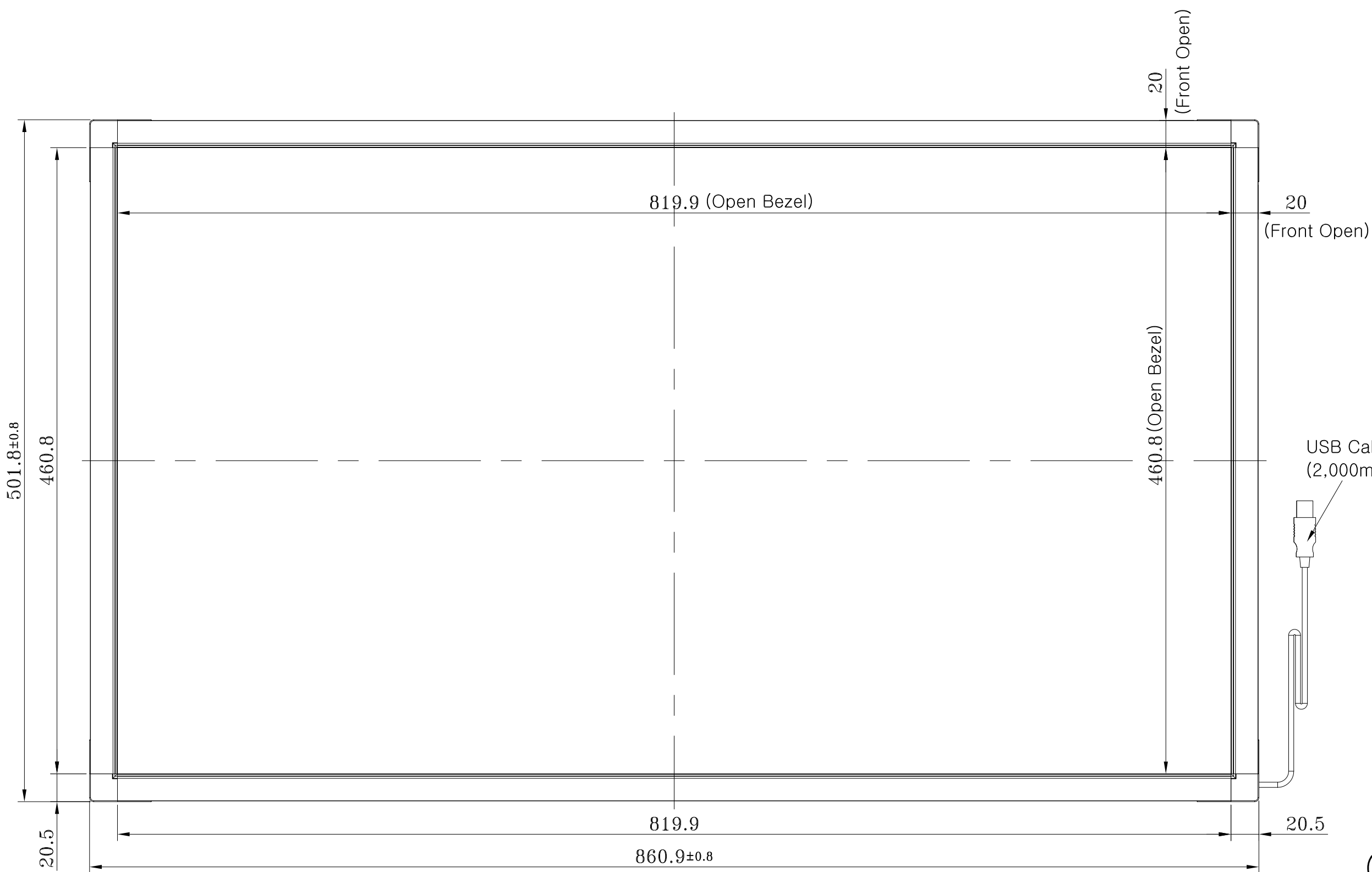
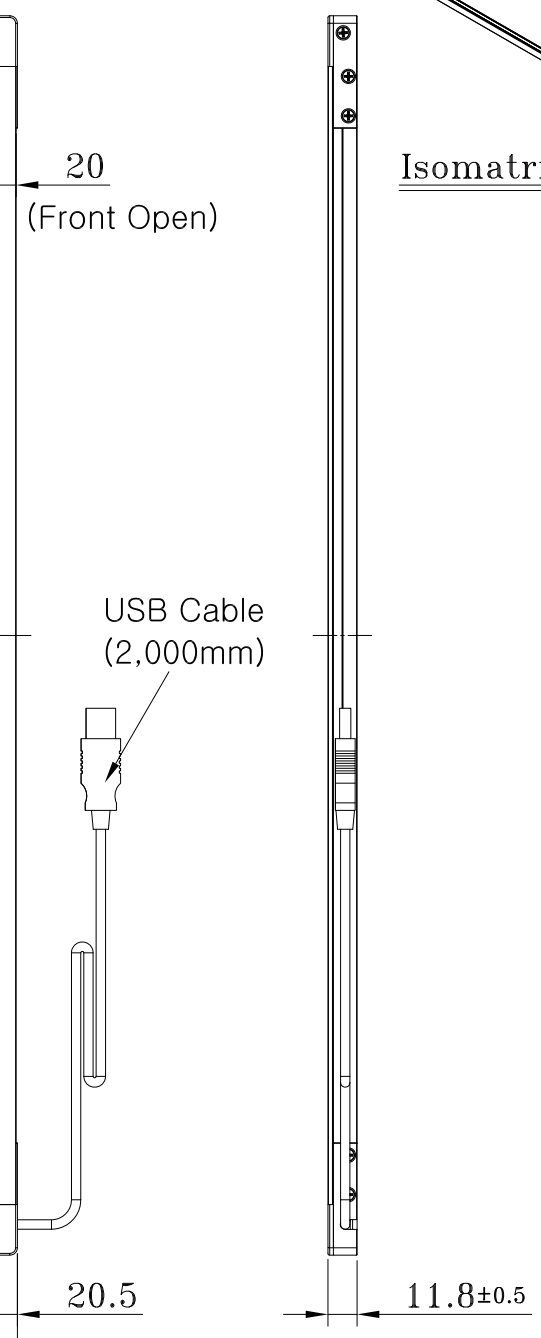


REVISION NO.	DESCRIPTION	DATE
V 1.0	Issued First	2011.10.25



Isometric View

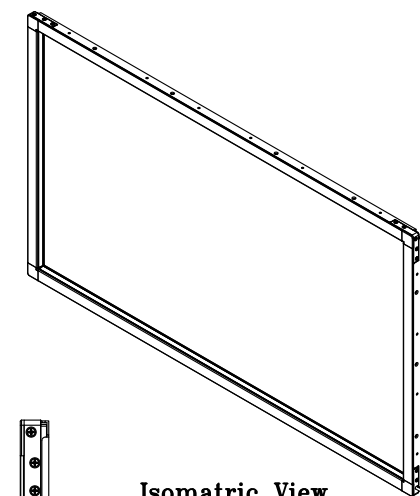


(Side View)

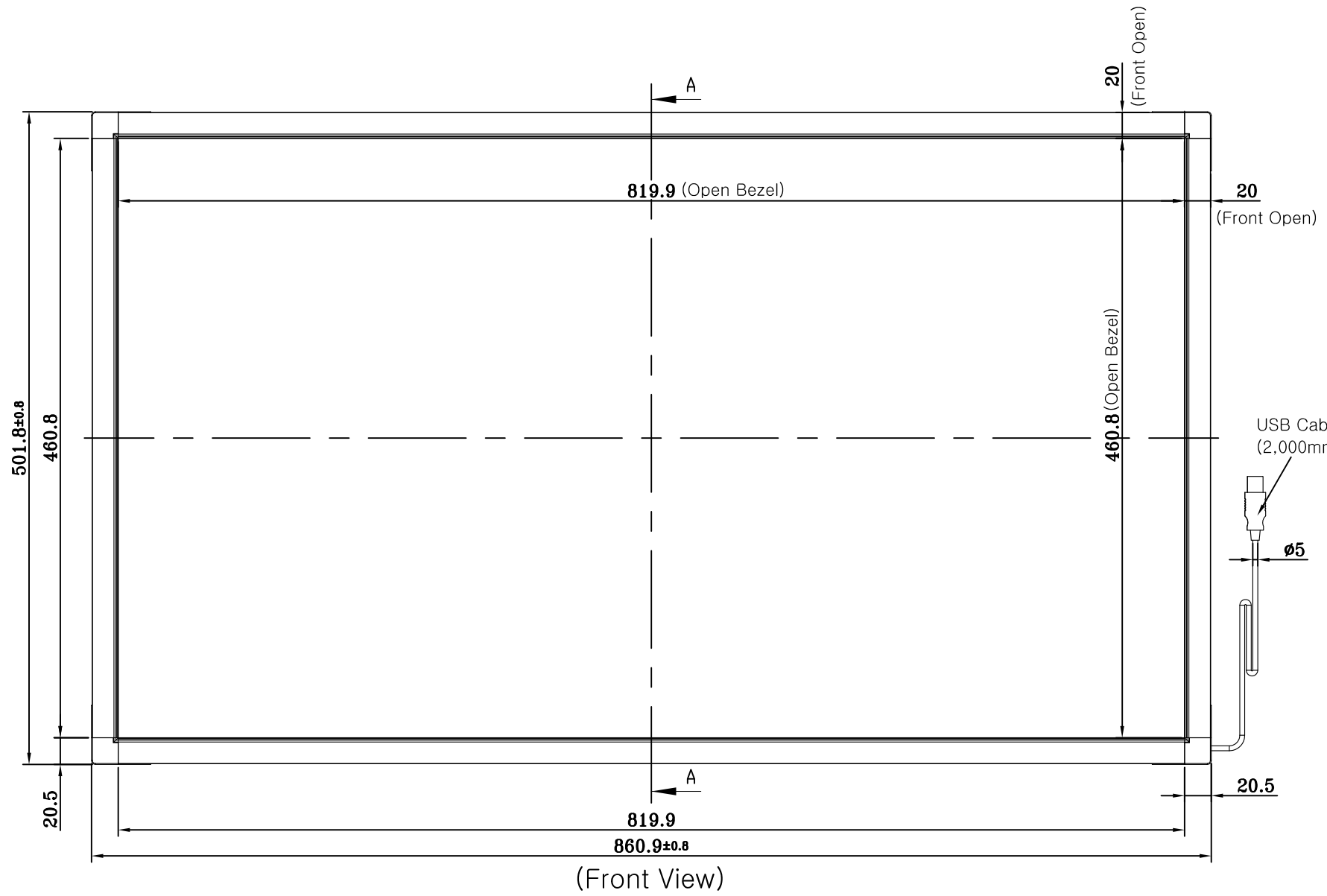
(Front View)

Model No.	A2 370					Product No.	NTI-0370-ABBXX-XI-XXXX-H02-GXX										
Part No.	-					Q'ty	1										
TOLERANCE (±MM)	Dim.	0	6	30	120	400	1000	PROJECTILE	SCALE	UNIT	SIZE	DATE					
	Class	-6	-30	-120	-400	-1000	-2000										
	A	0.05	0.1	0.15	0.2	0.3	0.5						3RD ANGLE PROJECTION	1/3	mm	A3	2011.10.25
	ⓑ	0.1	0.2	0.3	0.5	0.8	1.2										
C	0.3	0.5	0.8	1.2	2	3	DRAWING NAME	A2 370 SET									
INEXIO	DESIGNED	CHECKED		APPROVED				DRAWING NO.	A2 - 0370 - 001								
	CM LEE	HJ KIM		DS LIM				SHEET NO.	SHEET 1 OF 1								

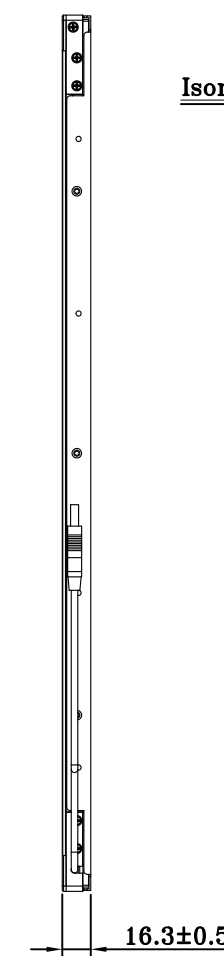
REVISION NO.	DESCRIPTION	DATE
V 1.0	Issued First	2011.12.16



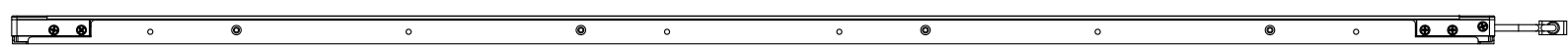
Isometric View



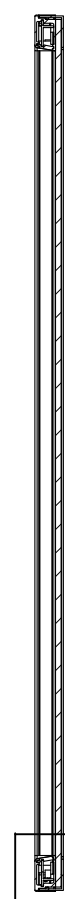
(Front View)



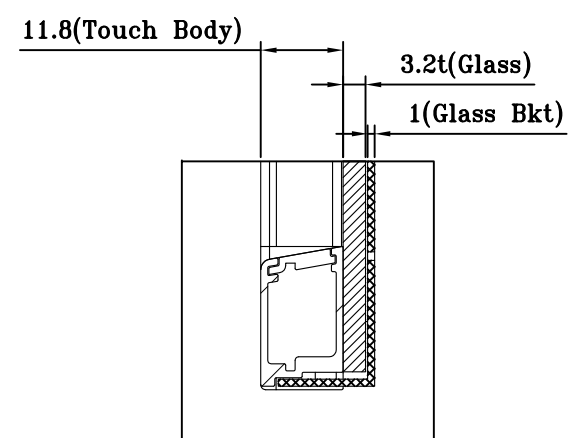
(Side View)



(Bottom View)



(Section A-A)



(Detail B)
Scale 4/1

Note

Model No.	A2					Product No.	NTI0370-02HI-AGSI-32HF										
Part No.						Q'ty	SPEC or MATERIAL REMARK										
TOLERANCE (±MM)	Dim.	0	6	30	120	400	1000	PROJECTILE	SCALE	UNIT	SIZE	DATE					
	Class	~6	~30	~120	~400	~1000	~2000										
	A	0.05	0.1	0.15	0.2	0.3	0.5						3RD ANGLE PROJECTION	1/1	mm	A2	2011.12.16
	B	0.1	0.2	0.3	0.5	0.8	1.2										
C	0.3	0.5	0.8	1.2	2	3	DRAWING NAME		NTI 0370 SET								
INEXIO	DESIGNED	CHECKED	APPROVED														
	SC Jang	CM Lee	DS Lim	DRAWING NO.		NTI 0370 - 001											
				SHEET NO.		SHEET 1 OF 1											